

单相电流/电压变送器

ZA/ZV-12

■用途 Usage

ZA-12/ZV-12型单相电流/电压变送器是一种将电网中的电流、电压参数，经隔离变送成线性的直流模拟信号的装置。产品符合国家标准GB/T13850-1998。

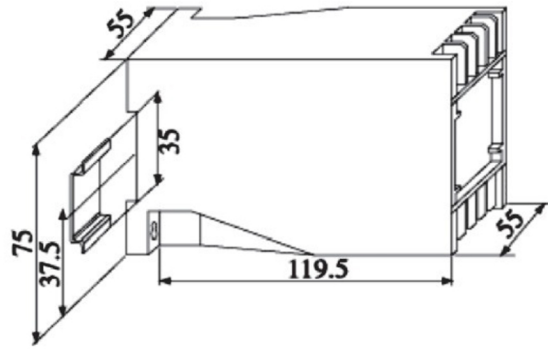
ZA-12/ZV-12 single phase current/voltage transducer is a device which can isolate and transmit electric parameters, such as current, voltage, into linear DC analog signal. It meets the requirements of National standard GB/T13850-1998.



■技术参数 Technical parameters

输入标称值 Input nominal value	电流Current :1Aac ,5Aac;电压Voltage:100Vac,150Vac,300Vac,600Vac
输入过载 Input overload	持续2倍, 瞬时电流10倍/5秒; 瞬时电压2倍/30秒 Continual 2times,instantaneous current 10times/5Sec.;instantaneous voltage 2 times/30Sec.
输入负载 Input overload	电流互感器: ≤0.2VA, 电压互感器: ≤0.1VA Current transformer(CT)≤0.2VA,Voltage transformer(PT)≤0.1VA
精度 Accuracy	≤±0.2%R.O.
响应时间 Response time	<400mSec.
输出电压 Output voltage	0~10Vdc,1~5Vdc,0~5Vdc,and special
输出电流 Output current	4~20mAdc,0~20mAdc,0~10mAdc,and special
输出波纹 Output ripple	<0.5%R.O.
输出负载 Output overload	电流输出时<750Ω,电压输出时>1000Ω Output current <750Ω,Output voltage>1000Ω
输出满度校调 Span adjustment	≤±20% of R.O.
输出零点校调 Zero adjustment	≤±20% of R.O.
工作电源 Power supply	AC110V/220V ± 10% DC110V/220V ± 10% AC/DC24-265V ± 10%
电源功耗 Consumption	直流供电<3W,交流供电<4VA DC Power <3W,AC Power <4VA
外壳材料 Case material	ABS
隔离 Isolation	输入/输出/电源/外壳 互相隔离 Between input/output/power/case
耐压强度 Isolation voltage	AC4KVrms/min
绝缘阻抗 Insulation resistance	>100MΩ,DC500V
工作环境温湿度 Operating temperature humidity	— 10℃~55℃, <80%相对湿度(无冷凝状态) — 10℃~55℃, <80%Relative humidity(non-condensing)
储存环境温度湿度 Storage temperature humidity	— 20℃~70℃, <70%相对湿度(无冷凝状态) — 20℃~70℃, <70%Relative humidity(non-condensing)
外型尺寸 Case dimension	119.5 mm(长)×55mm(宽)×75mm(高) 119.5 mm(Length)×55mm(Width)×75mm(Height)
安装方式 Mounting	标准导轨35mm,或螺钉固定 DIN rail 35mm,or fix to cubicle with bolt
重量 Weight	<200克 <200g

■外型尺寸 Dimension



■选型代码 Model Code

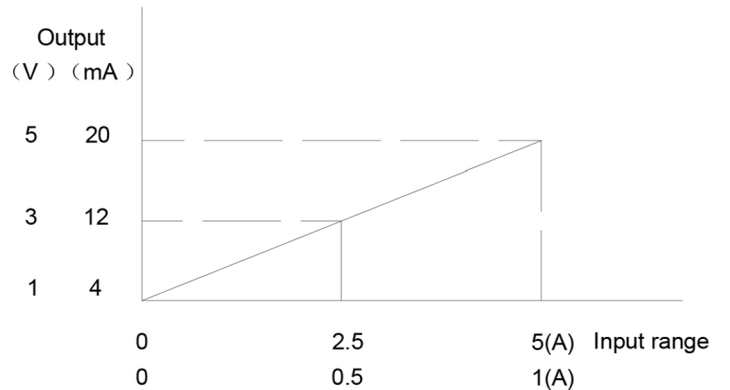
企业代码 Company code	功能代码 Function code	接线方式 Wiring	输入代码 Input code	输出代码 Output code	工作电源 Aux.power
Z	A 电流 Current	12 单相二线 Single phase	A1 0~1A	A020 0~20mA	A22 AC220V
	V 电压 Voltage		A5 0~5A	A420 4~20mA	A11 AC110V
	AT Current trms		A10 0~10A	V01 0~1V	D22 DC220V
	VT Voltage trms		V10 0~100V	V05 0~5V	D11 DC110V
			V11 0~110V	V15 1~5V	D24 DC24V
			V12 0~120V	V10 0~10V	O Special
			V22 0~220	O Special	AD AC/DC24-265V
			V38 0~380V		
			V50 0~500V		
			O Special		

请详细书写您所需产品的型号和参数!

■订货范例 Order example

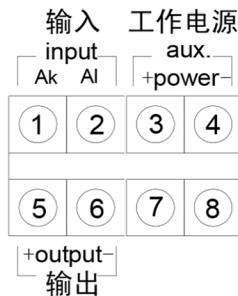
型号 Model : ZA-12-A5-A420-A22
 输入 Input : 1P2W,0~5Aac
 输出 Output : 4~20mAac
 电源 Power : AC220V 50Hz

■输入、输出曲线图 Input、Output curve



■接线图 Connection Diagram

单相电流变送器
Single phase Current Transducer



单相电压变送器
Single phase Voltage Transducer

