

CD1240S Series

240Watts, Single Output



Dimensions: 121(D)x75(W)x110(H) mm

Features

- High power density
- Built-in cooling fan
- RoHS compliance
- 3 year warranty
- Great reliability
- DIN Rail / Wall bracket mounting solution
- Optional alarm signal / Redundant function
- Over voltage protection
- Overload protection
- Short circuit protection

Safety Standards



EN 60950 (Marking)



UL 508 (Approval)

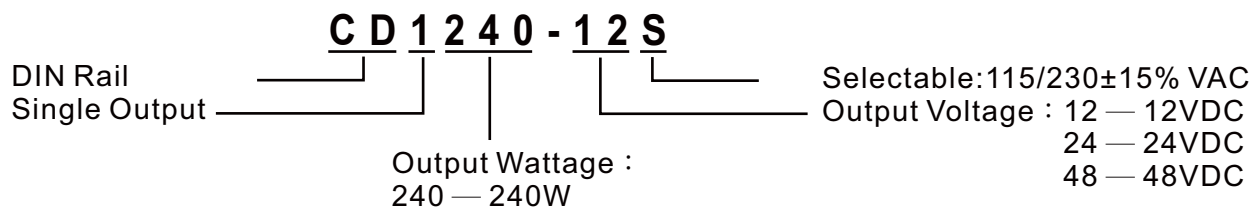
EMC Standards

EN55011	Class B
EN55022	Class B
EN61000-4-2	Level 3
EN61000-4-3	Level 3
EN61000-4-4	Level 3
EN61000-4-5	Level 3
EN61000-4-6	Level 3
EN61000-4-8	Level 3
EN61000-4-11	Level 3

Model List

Model	O/P Voltage Adjustment	Loading Min.	Rated	Max.	Ripple Noise	Efficiency	Over Voltage Protection
CD1240-12S	+12VDC±10%	0A	20A	20A	100mVp-p	80%	15~17VDC
CD1240-24S	+24VDC±10%	0A	10A	10A	150mVp-p	82%	27~30VDC
CD1240-48S	+48VDC±10%	0A	5A	5A	250mVp-p	84%	52~56VDC

Model Encoding



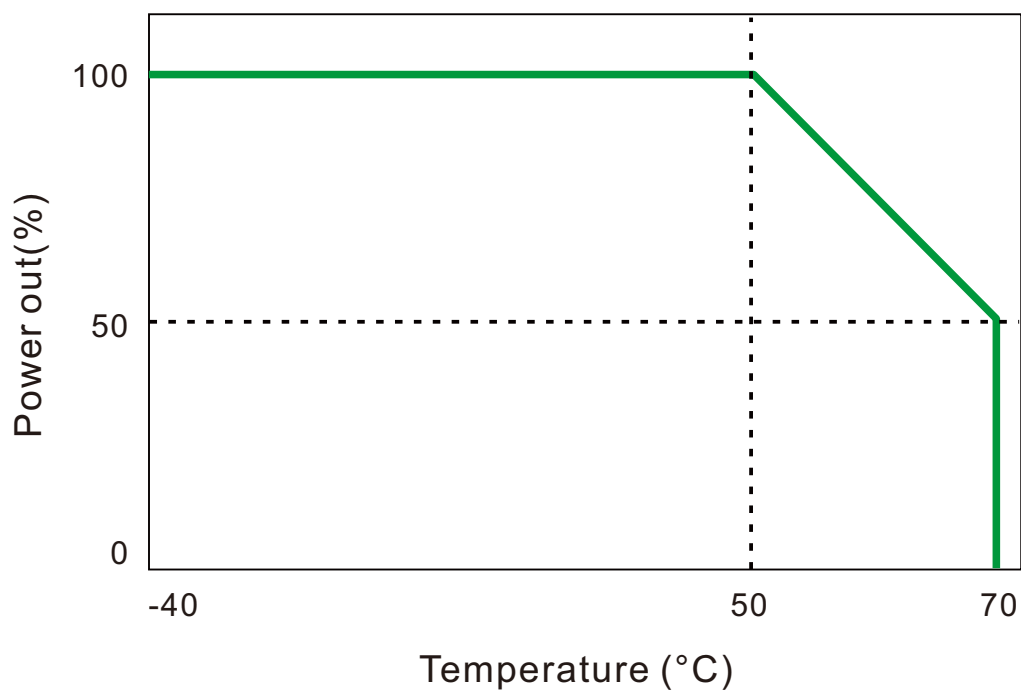
Specification

General	
Switching Frequency	85kHz
Isolation Voltage	Input-Output 3000VAC/4242VDC
	Input-FG 1500VAC/2121VDC
	Output-FG 500VAC/ 710VDC
Isolation Resistance	100MΩ when Input-Output @500VDC
Operating Temperature	-40°C~50°C ambient
Derating	2.5% per degree from 50°C to 70°C
Storage Temperature	-40°C to +85°C
Relative Humidity	5%~95% RH, Non-condensing.
Temperature Coefficient	±0.04% of output voltage per °C
MTBF	60,000hrs Min. Per MIL-HDBK-217F, 25°C GB
Attitude During Operation	2000m
Installation position	Vertical
Vibration	Random Vibration, 10~500Hz. 3 axis
Input	
Input Voltage	115/230VAC ±15% Selectable
Input Frequency	47~63Hz
Inrush Current (cold start)	22A/115VAC 44A/230VAC
Rated Input Current	5A Max. @Vi=100~240VAC, 3A Max. @Vi=200~240VAC
Leakage Current	Input-output 0.25mA, Input-FG 3.5mA, Vi=250VAC
Output	
Output Voltage accuracy	±1%
Minimum Load	0%
Line Regulation	±1%, measuring from low line to high line rated load
Load Regulation	±1%, measuring from 20% to 100% of rated load 230VAC input
Voltage Trim Range	±10%
Rated Continuous Loading	20A@12VDC, 10A@24VDC, 5A@48VDC
Hold Up Time	30mS Min., Full load@230VAC.
Turn On Time	1300mS
Rise Time	15mS
Fall Time	30mS

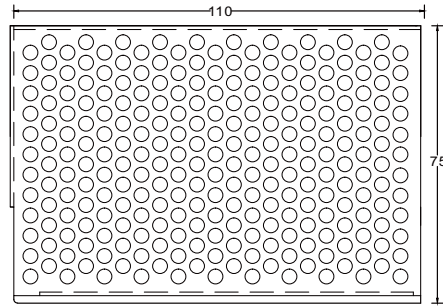
Specification

Output		
Transient Response	Recovery Time	2mS, Load change 50% to 100%
	Voltage Deviation	5%, Load change 50% to 100%
Efficiency		See model list, measuring at rated load and 230VAC input
Ripple and Noise		See model list, measuring by using a 0.1 μ F/630V metalize capacitor and a 47 μ F electrolytic capacitor parallel on the test point, at rated load and 230VAC input.
Protection		
Input Fuse		5A/250V
Internal Surge Load Protection		Varistor, IEC6100-4-5
Degree of Protection		IP20
Short Circuit Protection		Autorecovery
Over Voltage Protection		Autorecovery
Rated Over Load Protection		160~200%
Overload protection		Power limited

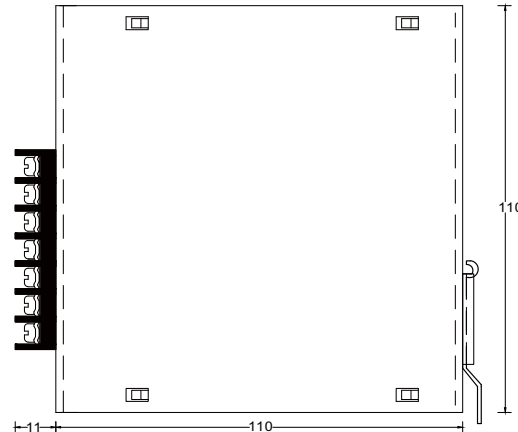
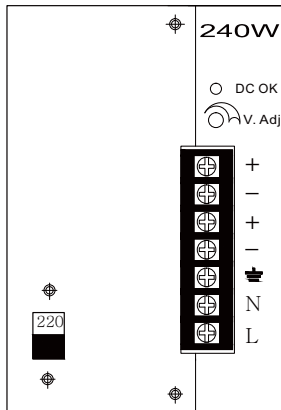
Derating Curve



Mechanical Details



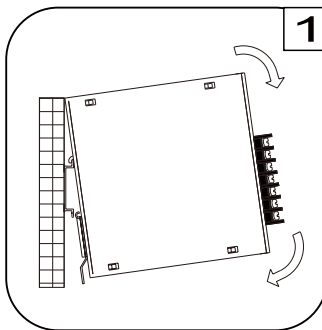
Case No.	CD240S	
Dimensions	121(D)x75(W)x110(H)mm	
Case Material	Metal	
Weight	CD1240-12S	800.2 g
	CD1240-24S	795.5 g
	CD1240-48S	782 g



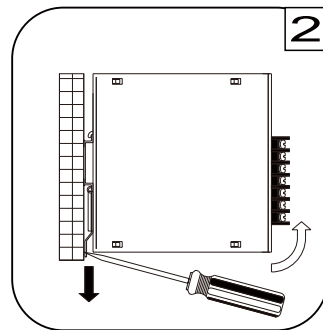
Terminal Allocation

Designation	Description
DC OK	Green LED Indicator
V Adj.	O/P Voltage adjustment
+	Output Positive
-	Output Negative
⊕	Earth
N	Input Neutral
L	Input Line

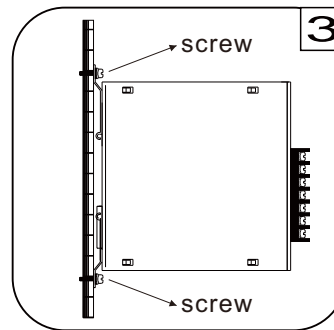
Installation instruction



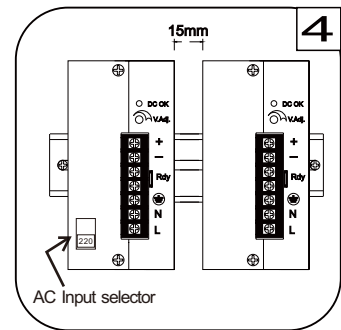
Place the top of the CD1240S rail mount over the top of the DIN rail. Tilt the bottom of the AD1240S toward the DIN rail until it snaps into place.



To remove the CD1240S from the DIN rail, use a flathead screwdriver to pull down the bottom of the rail mount and tilt it away from the DIN rail.



To install CD1240S on wall/plate, loosening screws on mounting bracket and pull both brackets out first. Then re-screwing the two brackets with screws onto wall/plate.



The left housing of CD1240S is designed as a heat sink, please keeping a minimum distance of 15mm from each other.

CHUNDE TECHNOLOGY CO., LTD

<http://www.chunde.com.tw>

E-mail: chunde88@chunde.com.tw

Tel: 886-7-3735373 Fax: 886-7-3758835

No.136, Mingshan 10th St., Renwu Dist, Kaohsiung County 814, Taiwan(R.O.C.)