

# 高絕緣耐壓直流信號隔離傳送器

(HIGH DIELECTRIC STRENGTH DC SIGNAL ISOLATED TRANSMITTER)

MODEL  
TDH



## ■特點(FEATURES)

- 精確度0.1%滿刻度(Accuracy 0.1% F.S.)
- 多種輸入/輸出選擇(Wide selection of input/output range)
- 輸入與輸出與電源絕緣耐壓5千伏特/1分鐘  
(Dielectric strength 5KVac/1min.(input/output/power))
- 輸入與輸出突波隔離電壓10千伏特(1.2x50us)  
(Surge isolation voltage, V<sub>peak</sub>=10KV(1.2x50us,input/output))
- 尺寸小、穩定性高(Dimension small & High stability)

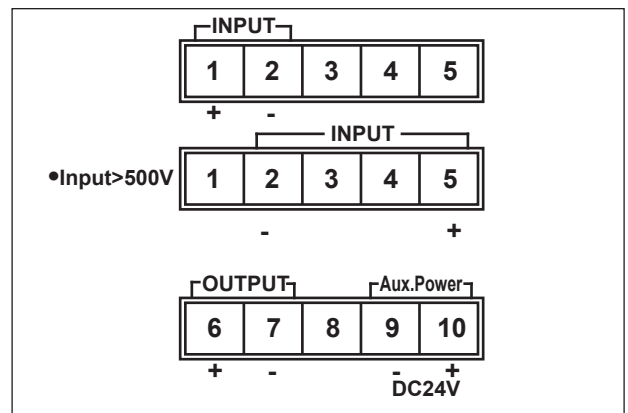
1. MODEL: TDH-     
(選購型號)

NO	Input Range	NO	Input Range	NO	Input Range	NO	Input Range	NO	Output Range	NO	Output Range	NO	Output Range
10	-10~+10mV	15	-10~+10V	20	-1~+1mA	25	-500~+500mA	A	-10~+10mV	F	0~10V	K	0~10mA
11	-50~+50mV	16	-100~+100V	21	-10~+10mA	26	-1~+1A	B	-50~+50mV	G	-10~+10V	L	-10~+10mA
12	-100~+100mV	17	-500~+500V	22	-20~+20mA	27	-5~+5A	C	-1~+1V	H	2~10V	M	-20~+20mA
13	-1~+1V	18	-1000~+1000V	23	-50~+50mA	28	-10~+10A	D	-5~+5V	I	0~1mA	N	4~20mA
14	-5~+5V	19	-2000~+2000V	24	-100~+100mA	29	SPECIFIED	E	1~5V	J	-1~+1mA	R	SPECIFIED

## 2. SPECIFICATION (主要規格)

- Aux. power supply (輔助電源) : DC24V±10% (≤2VA)
- Measuring accuracy (精確度) : 0.1% F.S. (23±5°C)
- Input resistance (輸入阻抗) : >100kOhm (<2V ranges)  
>2Mohm (>2V ranges)  
>5Mohm (>200V ranges)  
>10Mohm (>500V ranges)  
≤0.1VA (current ranges)
- Maximum input over (最大過載能力) : Current related input: 3 x rated continuous  
10 x rated 30 sec., 25 x rated 3 sec  
50 x rated 1 sec  
Voltage related input: maximum 3 x rated continuous (<500V)  
Voltage related input: maximum 2 x rated continuous (>500V)
- Responses time (輸出反應時間) : <4ms (0~90%)
- Output drive capability (輸出負載能力) : <10mA for voltage mode  
<10V for current mode
- Output ripple (p-p) (輸出漣波) : <0.1% F.S.
- Zero (offset) range (歸零調整範圍) : 0~±5% F.S.
- Span (scale) range (最大值調整範圍) : 0~±10% F.S.
- Temp. coefficient (溫度係數) : 100ppm/°C (0~50°C)
- Isolation (隔離特性) : Input/Output/Power/Case
- Insulation Resistance (絕緣阻抗) : >1Gohm with 500VDC
- Dielectric strength (絕緣耐壓能力) : 5KVac/1 min. (input/output/power)
- Surge isolation voltage (突波隔離電壓) : V<sub>peak</sub>=10KV; 1.2us rise time; 50us, 50% fall time (input/output)
- Operating condition (使用環境條件) : -20~60°C (20 to 90% RH non-condensed)
- Storage condition (存放環境條件) : -30~70°C (20 to 90% RH non-condensed)
- Construction (安裝方式) : DIN rail mounting and wall mounting
- CE EMC Certification (CE 認證) : EN 55022:1998/A1:2000 Class A  
EN 61000-3-2:2000  
EN 61000-3-3:1995/A1:2001  
EN 55024:1998/A1:2001

## 3. TERMINAL CONNECTION (接線圖)



## 4. DIMENSION (unit:mm) (外型尺寸)

